



FSP03

- Network Rail Product Acceptance Certificate PA05/07053.
- Compliant to NR/L2/SIG/ELP/27409 Issue 2.
- All FSP03s come fitted with RSP's unique removable and split-able gland plates.
- All FSP03 cases are fully compatible with all NWR Product Accepted Automatic Reconfiguration Systems and can be supplied in yellow banded cases made from mild or stainless steel.

	FSP03 Assemblies		FSP03 PRODUCTS							
	FSP03 Type 32 DLF3P32-02	FSP03 Type 32C DLF3P32C	FSP03 Type 30 DLF3P30-02	FSP03 Type 31 DLF3P31-02	FSP03 Type 33 DLF3P33-02	FSP03 Type 34 DLF3P34-02	FSP03 Type 35 DLF3P35-02	FSP03 Type 36 DLF3P36-02	FSP03 Type 37 DLF3P37-02	FSP03 Type 32 Surge Suppressor Module DLF3P32SM
Class	II	II	II	II	II	II	II	II	II	II
Feeder Switches	2 - Mains 3 - ARS	2 - Mains 3 - ARS	2 - Mains 3 - ARS	N/A	N/A	N/A	N/A	N/A	N/A	N/A
Functional Supplies	Dependant on functional FSP03 Module selected		2	4	4	2	2	2	4	N/A
Feeder Cable Size (Cu or Al)	16-120mm ²	16-120mm ²	16-120mm ²	N/A	N/A	N/A	N/A	N/A	N/A	N/A
Type of Fuses	IEC	IEC	IEC	IEC	IEC	IEC	IEC	IEC	IEC	IEC
Dimensions (mm)	Full Width Case	Half Width Case	W=506 H=800 D=233	W=506 H=800 D=228	W=506 H=800 D=228	W=506 H=800 D=228	W=506 H=800 D=228	W=506 H=400 D=233	W=506 H=400 D=228	W=100 H=150 D=99
Weight			18.75Kg	18.75Kg	18.75Kg	18.75Kg	18.75Kg	13.50Kg	13.50Kg	1Kg
Railway Cat No.	054/213905	054/213906	054/213907	054/213908	054/213909	054/213910	054/213911	054/213912	054/213913	054/213914
Additional Comments	Optional Heater and Light available	Optional Heater and Light available		Primary and Secondary fuses		Primary and Secondary fuses		Including termination facility for one spur supply		A single surge suppressor in its own housing



FSP03 - Type 30

FSP03 Switchgear Assembly - Type 30

- ❑ Railway Cat No. 054/213907.
- ❑ RSP Part No. DLLF3P30-02.
- ❑ Class II Distribution Enclosure for 650V Signalling Systems.
- ❑ FSP03 Main Distribution Module.

Key Features:

- ❑ Dedicated Ring Power IN and OUT Isolators.
- ❑ Compatible with Copper (Cu) or Aluminium (Al) 2c Feeder Cables up to 120mm².
- ❑ Easy cable installation with Magplate sliding split-able Gland Plate.
- ❑ Functional Supply Fuse Carriers IEC60269 (ABB 10x38mm).
- ❑ Compliant to Network Rail specification NR/L2/ELP/27409 Issue 2.
- ❑ Dimensions W=506mm x H=800mm x D=233mm.
- ❑ Weight = 18.75Kg.

Support

All products come with a standard 12 month warranty with an option to extend if required and a minimum 35 year life expectancy. RSP has an experienced team on hand to provide ongoing support pre, during and after sales.



Contact us to order or get more info

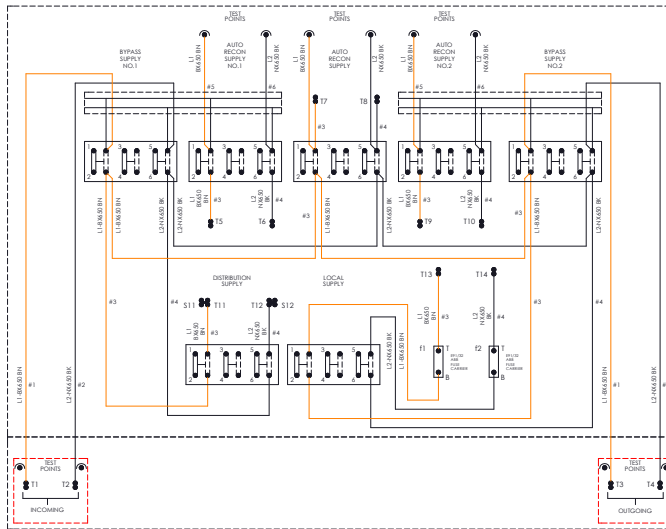
Call us on **01752 969321**

Alternately you can fill out *our online form*



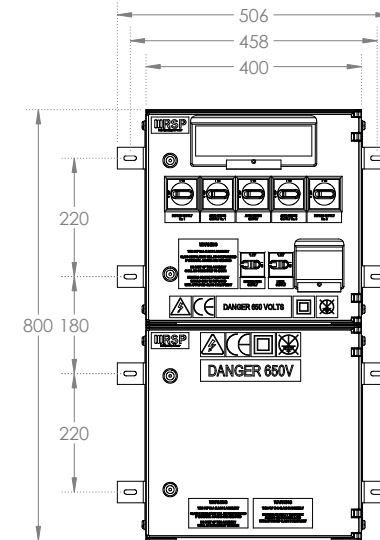
FSP03 - Type 30

FSP03 TYPE 30

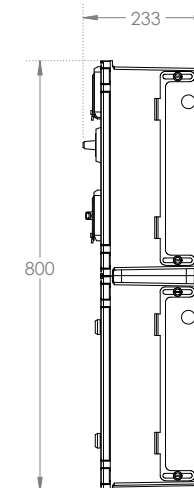
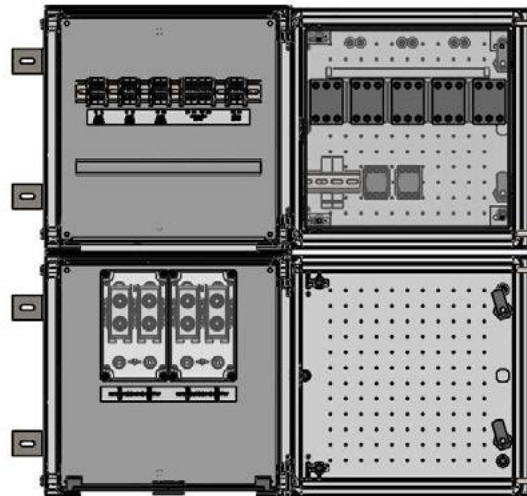


WIRING DIAGRAM

DIMENSIONING



INTERNAL VIEW



FSP03 - Type 31

FSP03 Switchgear Assembly - Type 31

- Railway Cat - No. 054/213908.
- RSP Part - No. DLLF3P31-02.
- Class II Distribution Enclosure for 650V Signalling Systems.
- FSP03 Functional Supply Module with Primary and Secondary fuses.

Key Features:

- Four Switched & Fused Output Functional Supplies.
- Easy cable installation with Magplate sliding split-able Gland Plate.
- Functional Supply Fuse Carriers IEC60269 (ABB 10x38mm).
- Compliant to Network Rail specification NR/L2/ELP/27409 Issue 2.
- Dimensions W=506mm x H=800mm x D=228mm.
- Weight = 18.75Kg.

Support

All products come with a standard 12 month warranty with an option to extend if required and a minimum 35 year life expectancy. RSP has an experienced team on hand to provide ongoing support pre, during and after sales.



Contact us to order or get more info

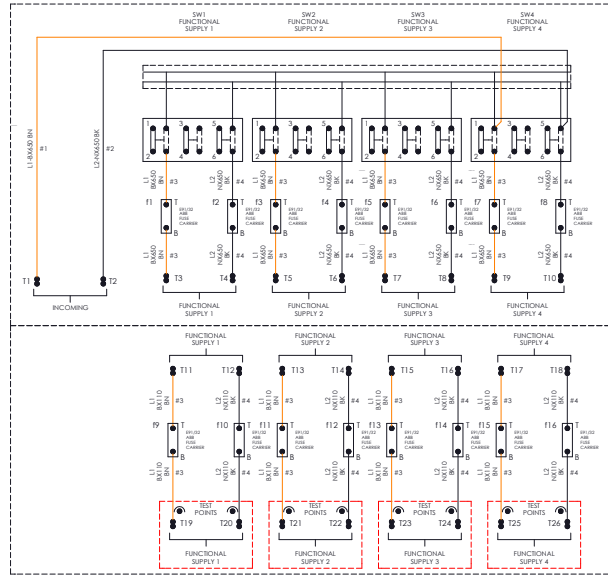
Call us on **01752 969321**

Alternately you can fill out *our online form*



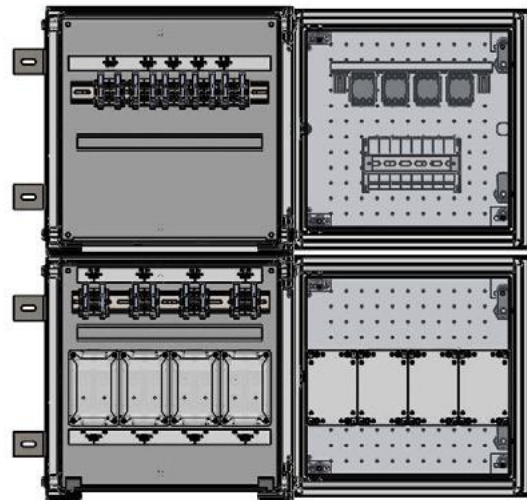
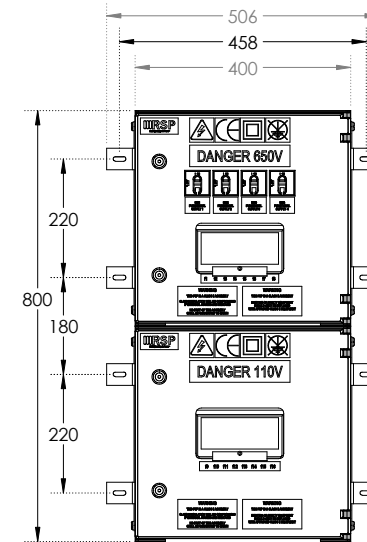
FSP03 - Type 31

FSP03 Type 31

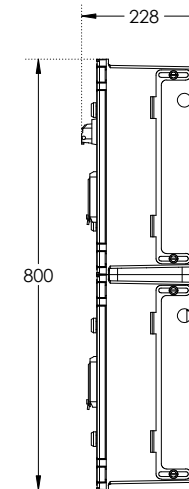


WIRING DIAGRAM

DIMENSIONS



INTERNAL VIEW



FSP03 - Type 32

FSP03 Full Width Location Case Assembly

- ❑ Railway Cat No. 054/213905.
- ❑ RSP Part No. DLLF3P32-02.
- ❑ Class II Distribution Enclosure for 650V Signalling Systems.
- ❑ Full Width Case - Optional Heater and Light available.

When ordering a complete case a **Type 30 Distribution Module** is supplied as standard as well as one other **FSP03 Functional Supply Module** which is to be specified by the client.

Key Features:

- ❑ Dedicated Ring Power IN and OUT Isolators.
- ❑ Compatible with Copper (Cu) or Aluminium (Al) 2c Feeder Cables up to 120mm².
- ❑ Easy cable installation with Magplate sliding split-able Gland Plate.
- ❑ Functional Supply Fuse Carriers IEC60269 (ABB 10x38mm).
- ❑ Compliant to Network Rail specification NR/L2/ELP/27409 Issue 2.
- ❑ Dimensions W=1022mm x H=1861mm x D=558mm.
- ❑ Weight = Dependant on final design.



Need a tailored design?

Our IRSE licensed designers can give you the bespoke solution you need. Call us on **01752 969321** or you can fill out *our online form*

III FSP03 - Type 32C

FSP03 Half Width Location Case Assembly

- Railway Cat No. 054/213906.
- RSP Part No. DLLF3P32C.
- Class II Distribution Enclosure for 650V Signalling Systems.
- Half Width Case - Optional Heater and Light available.

When ordering a complete case a Type 30 Distribution Module is supplied as standard as well as one other FSP03 Functional Supply Module which is to be specified by the client.

Key Features:

- Dedicated Ring Power IN and OUT Isolators.
- Compatible with Copper (Cu) or Aluminium (Al) 2c Feeder Cables up to 120mm².
- Easy cable installation with Magplate sliding split-able Gland Plate.
- Functional Supply Fuse Carriers IEC60269 (ABB 10x38mm).
- Compliant to Network Rail specification NR/L2/ELP/27409 Issue 2.
- Dimensions W=588mm x H=1861mm x D=558mm.
- Weight = Dependant on final design.



Need a tailored design?

Our IRSE licensed designers can give you the bespoke solution you need. Call us on **01752 969321** or you can fill out *our online form*

FSP03 - Type 33

FSP03 Switchgear Assembly - Type 33

- ❑ Railway Cat - No. 054/213909.
- ❑ RSP Part - No. DLLF3P33-02.
- ❑ Class II Distribution Enclosure for 650V Signalling Systems.
- ❑ FSP03 Functional Supply Module.

Key Features:

- ❑ Four Switched & Fused Output Functional Supplies.
- ❑ Easy cable installation with Magplate sliding split-able Gland Plate.
- ❑ Functional Supply Fuse Carriers IEC60269 (ABB 10x38mm).
- ❑ Compliant to Network Rail specification NR/L2/ELP/27409 Issue 2.
- ❑ Dimensions W=506mm x H=800mm x D=228mm.
- ❑ Weight = 18.75Kg.

Support

All products come with a standard 12 month warranty with an option to extend if required and a minimum 35 year life expectancy. RSP has an experienced team on hand to provide ongoing support pre, during and after sales.



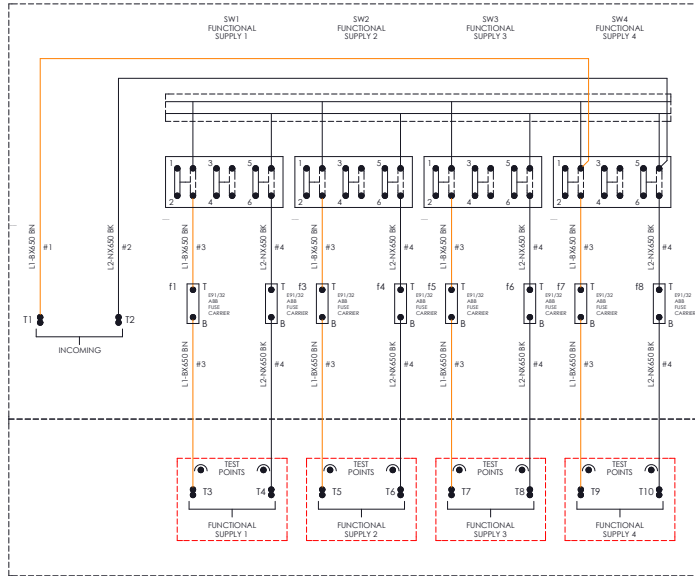
Need a tailored design?

Our IRSE licensed designers can give you the bespoke solution you need. Call us on **01752 969321** or you can fill out *our online form*

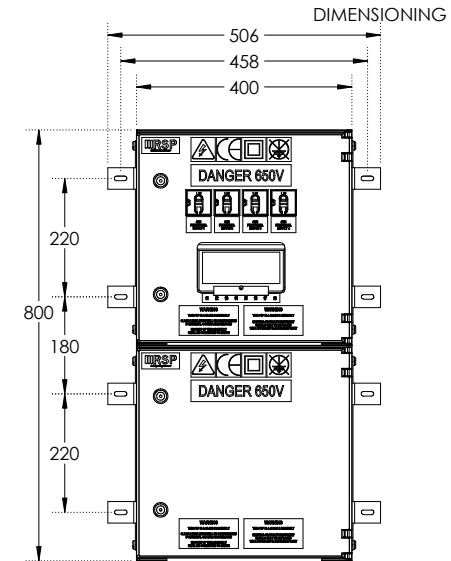


FSP03 - Type 33

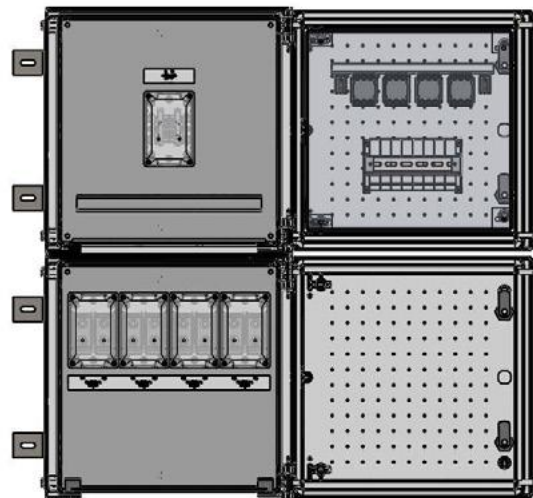
FSP03 Type 33



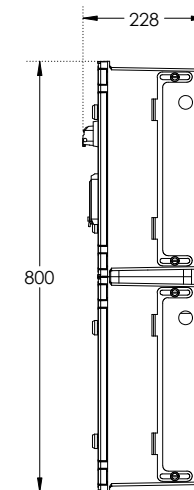
WIRING DIAGRAM



DIMENSIONING



INTERNAL VIEW





FSP03 - Type 34

FSP03 Switchgear Assembly - Type 34

- Railway Cat - No. 054/213910.
- RSP Part - No. DLLF3P34-02.
- Class II Distribution Enclosure for 650V Signalling Systems.
- FSP03 Functional Supply Module with Primary and Secondary fuses.

Key Features:

- Two Switched and Fused Output Functional Supplies.
- Easy cable installation with Magplate sliding split-able Gland Plate.
- Functional Supply Fuse Carriers IEC60269 (ABB 10x38mm).
- Compliant to Network Rail specification NR/L2/ELP/27409 Issue 2.
- Dimensions W=506mm x H=800mm x D=228mm.
- Weight = 18.75Kg.

Support

All products come with a standard 12 month warranty with an option to extend if required and a minimum 35 year life expectancy. RSP has an experienced team on hand to provide ongoing support pre, during and after sales.



Contact us to order or get more info

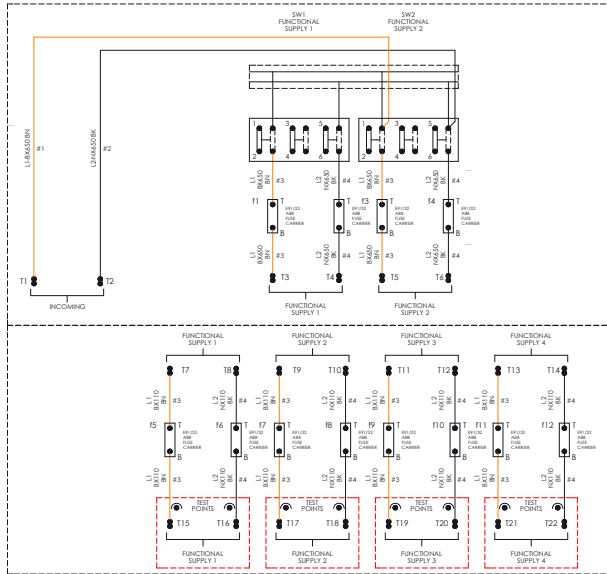
Call us on **01752 969321**

Alternately you can fill out *our online form*



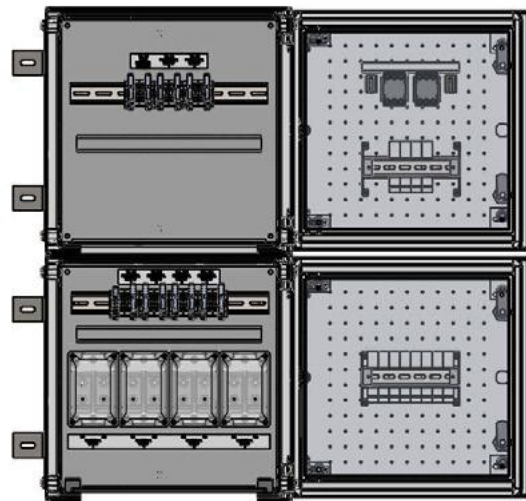
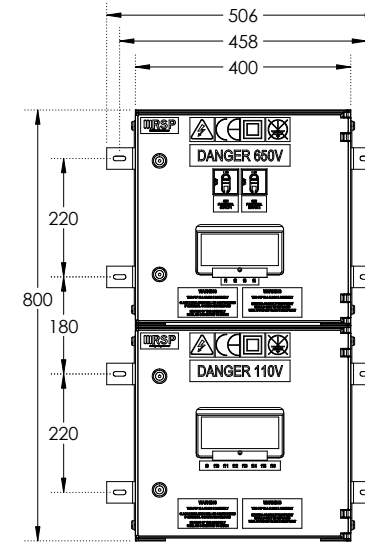
FSP03 - Type 34

FSP03 TYPE 34

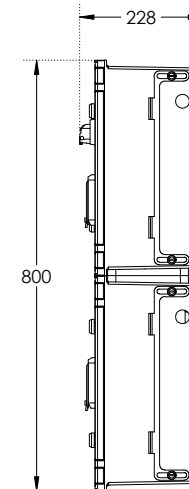


WIRING DIAGRAM

DIMENSIONING



INTERNAL VIEW



FSP03 - Type 35

FSP03 Switchgear Assembly - Type 35

- Railway Cat - No. 054/213911.
- RSP Part - No. DLLF3P35-02.
- Class II Distribution Enclosure for 650V Signalling Systems.
- FSP03 Functional Supply Module.

Key Features:

- Two Switched and Fused Output Functional Supplies.
- Easy cable installation with Magplate sliding split-able Gland Plate.
- Functional Supply Fuse Carriers IEC60269 (ABB 10x38mm).
- Compliant to Network Rail specification NR/L2/ELP/27409 Issue 2.
- Dimensions W=506mm x H=800mm x D=228mm.
- Weight = 18.75Kg.

Support

All products come with a standard 12 month warranty with an option to extend if required and a minimum 35 year life expectancy. RSP has an experienced team on hand to provide ongoing support pre, during and after sales.



Contact us to order or get more info

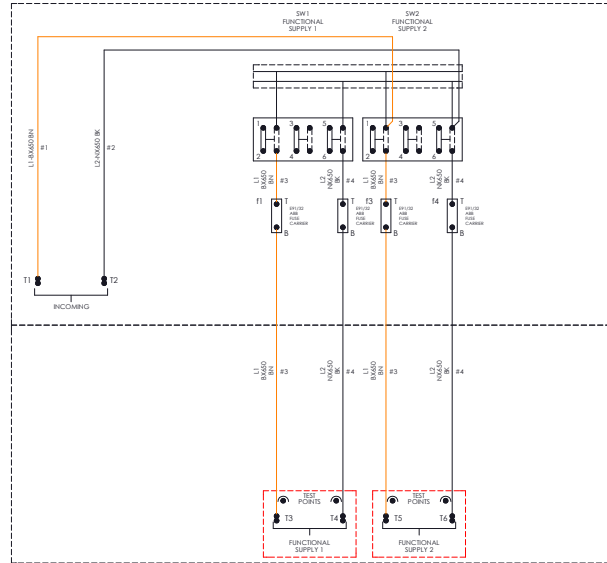
Call us on **01752 969321**

Alternately you can fill out *our online form*



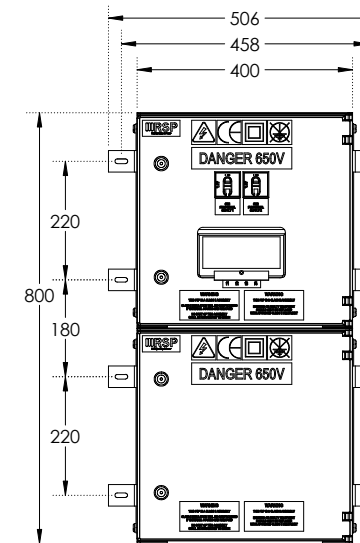
FSP03 - Type 35

FSP04 Type 35

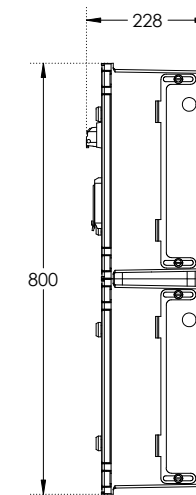
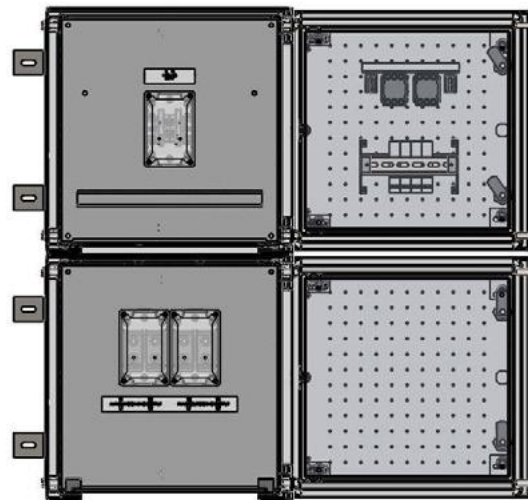


WIRING DIAGRAM

DIMENSIONING



INTERNAL VIEW





FSP03 - Type 36

FSP03 Switchgear Assembly - Type 36

- Railway Cat - No. 054/213912.
- RSP Part - No. DLLF3P36-02.
- Class II Distribution Enclosure for 650V Signalling Systems.
- FSP03 Functional Supply Module including termination facility for one spur supply.

Key Features:

- Two Switched and Fused Output Functional Supplies.
- Easy cable installation with Magplate sliding split-able Gland Plate.
- Functional Supply Fuse Carriers IEC60269 (ABB 10x38mm).
- Compliant to Network Rail specification NR/L2/ELP/27409 Issue 2.
- Dimensions W=506mm x H=400mm x D=233mm.
- Weight = 13.50Kg.

Support

All products come with a standard 12 month warranty with an option to extend if required and a minimum 35 year life expectancy. RSP has an experienced team on hand to provide ongoing support pre, during and after sales.



Contact us to order or get more info

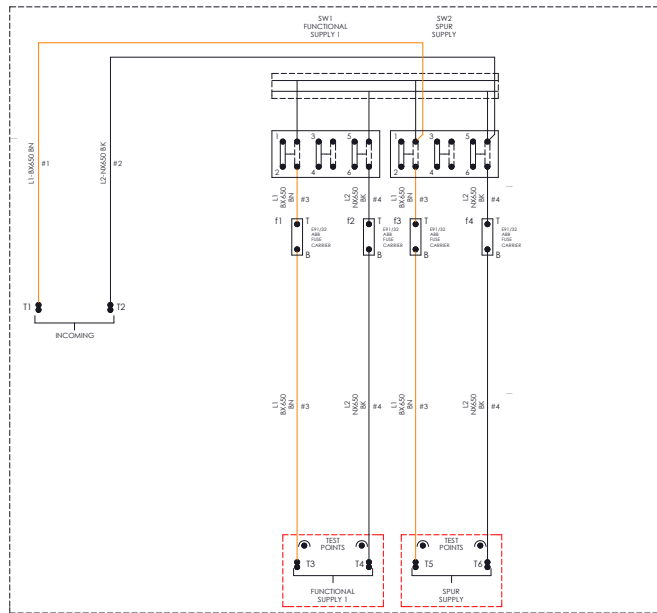
Call us on **01752 969321**

Alternately you can fill out *our online form*



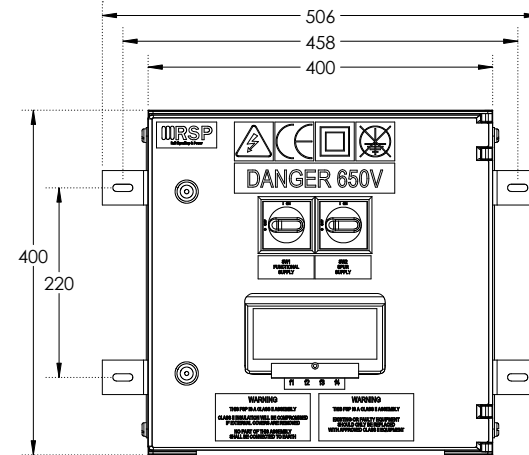
FSP03 - Type 36

FSP03 Type 36

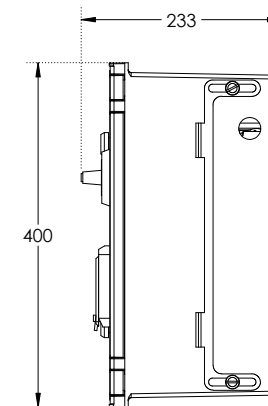
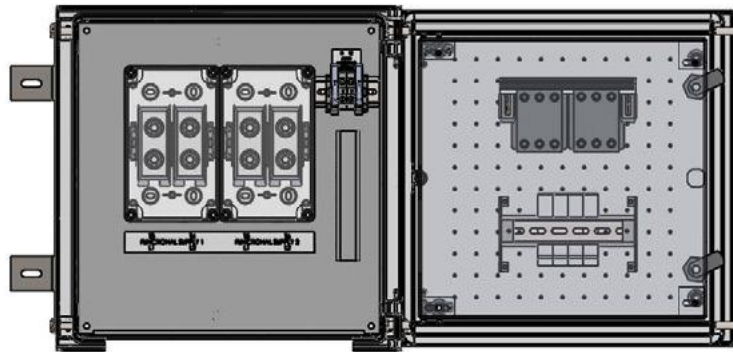


WIRING DIAGRAM

DIMENSIONING



INTERNAL VIEW



FSP03 - Type 37

FSP03 Switchgear Assembly - Type 37

- Railway Cat No. 054/213913.
- RSP Part No. DLLF3P37-02.
- Class II Distribution Enclosure for 650V Signalling Systems.
- FSP03 Functional Supply Module.

Key Features:

- Four Switched & Fused Output Functional Supplies.
- Easy cable installation with Magplate sliding split-able Gland Plate.
- Functional Supply Fuse Carriers IEC60269 (ABB 10x38mm).
- Compliant to Network Rail specification NR/L2/ELP/27409 Issue 2.
- Dimensions W=506mm x H=400mm x D=228mm.
- Weight = 13.50Kg.

Support

All products come with a standard 12 month warranty with an option to extend if required and a minimum 35 year life expectancy. RSP has an experienced team on hand to provide ongoing support pre, during and after sales.



Contact us to order or get more info

Call us on **01752 969321**

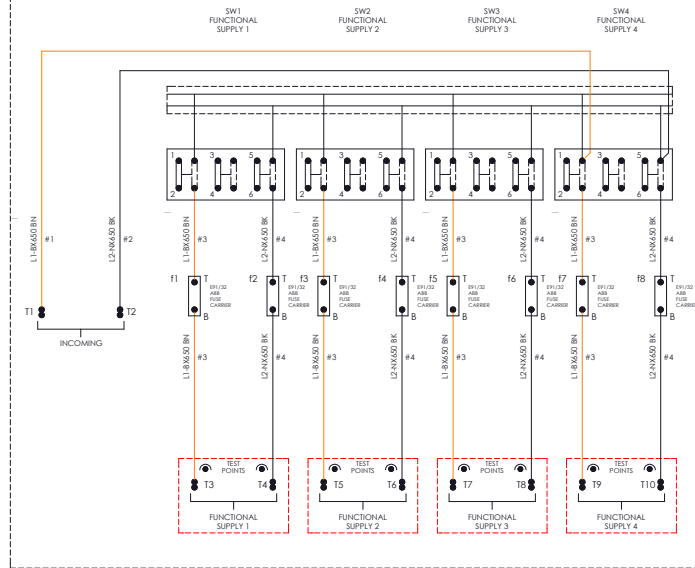
Alternately you can fill out *our online form*



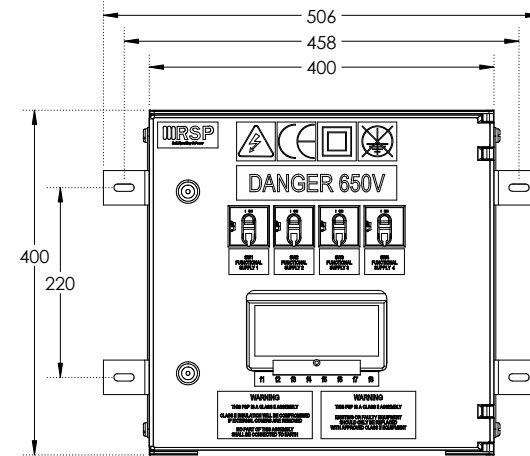
FSP03 - Type 37

FSP03 Type 37

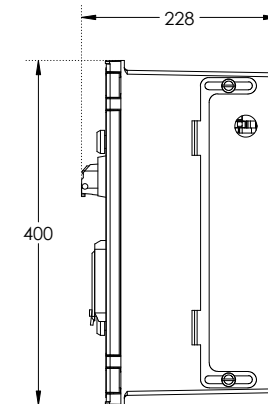
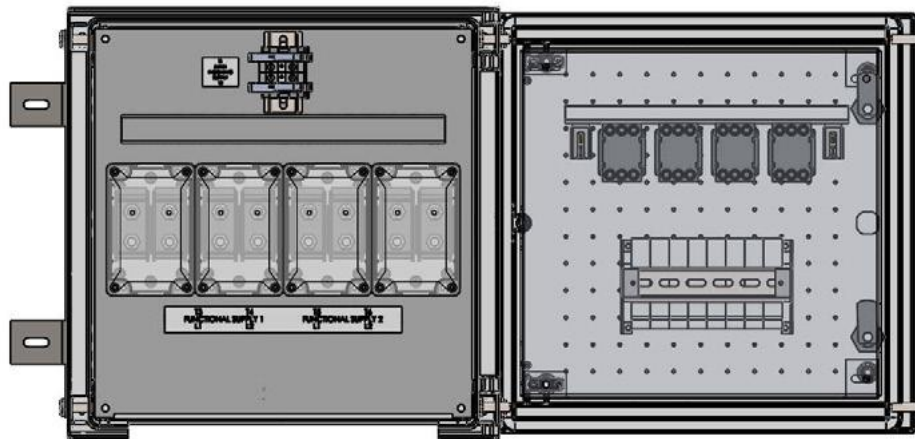
WIRING DIAGRAM



DIMENSIONING



INTERNAL VIEW



FSP03 - Type 32SM

FSP03 Switchgear Assembly - Type 32SM

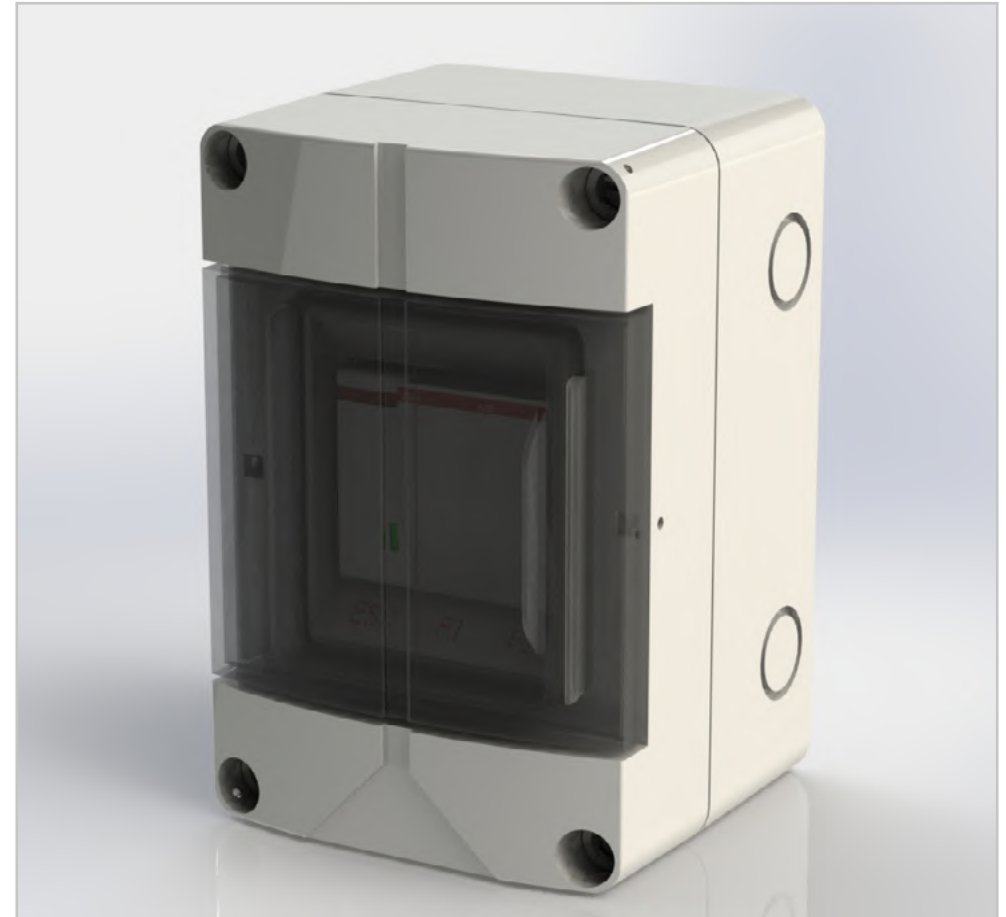
- Railway Cat No. 054/213914.
- RSP Part No. DLLF3P32SM.
- Class II Distribution Enclosure for 650V Signalling Systems.
- A single surge suppressor in its own housing.

Key Features:

- Dedicated Surge Arrestor Module.
- Functional Supply Fuse Carriers IEC60269 (ABB 10x38mm).
- Compliant to Network Rail specification NR/L2/ELP/27409 Issue 2.
- Dimensions W=100mm x H=150mm x D=99mm.
- Weight = 1Kg.

Support

All products come with a standard 12 month warranty with an option to extend if required and a minimum 35 year life expectancy. RSP has an experienced team on hand to provide ongoing support pre, during and after sales.



Contact us to order or get more info

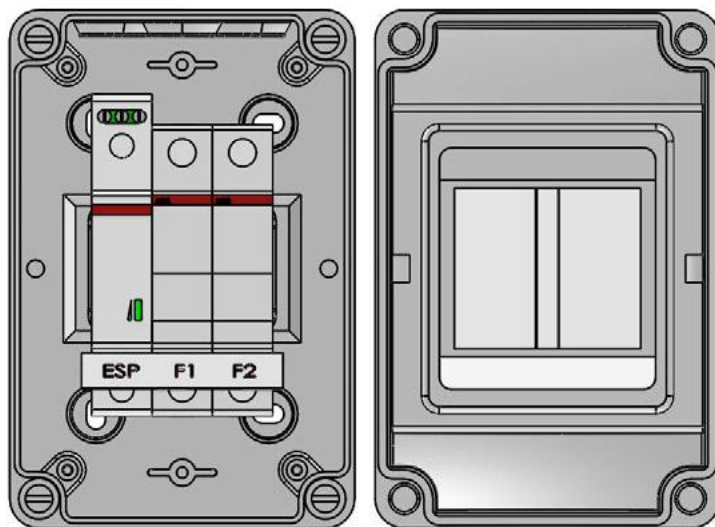
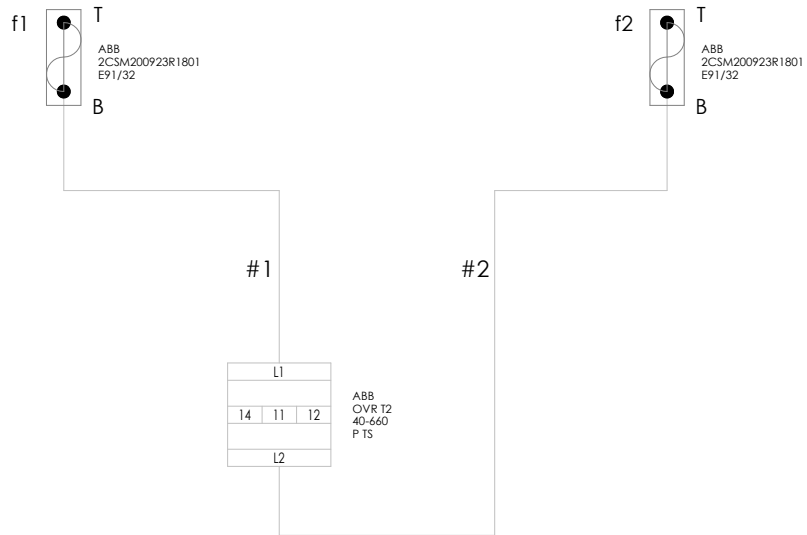
Call us on **01752 969321**

Alternately you can fill out *our online form*



FSP03 - Type 32SM

FSP03 Type 32 SM



DIMENSIONING

